

Monitors

65mm Manual Sentinel Monitor



Description

The Sentinel 65mm manual monitor is a stainless steel monitor with friction swivel locks. The monitor can be used with Orion Model 4000, 6000 and 8000 fog nozzles and Orion Foam Lord Model FLD2-65 and FLD-80 nozzles. It is recommended that aspirating foam nozzles not be used with these monitors.

Standard finish is unpainted. The adjustable tee handle is an option.

Specifications

Maximum Flow:	3000 lpm
Horizontal Rotation:	360°
Vertical Movement:	150°
Inlet Connection:	Flange 65 'E'
Outlet Connection:	65mm BSP M
Weight:	9.0kg

ORION FIRE ENGINEERING PTY LIMITED

ABN 80 002 538 696

26A LYN PARADE PRESTONS NSW 2170 AUSTRALIA

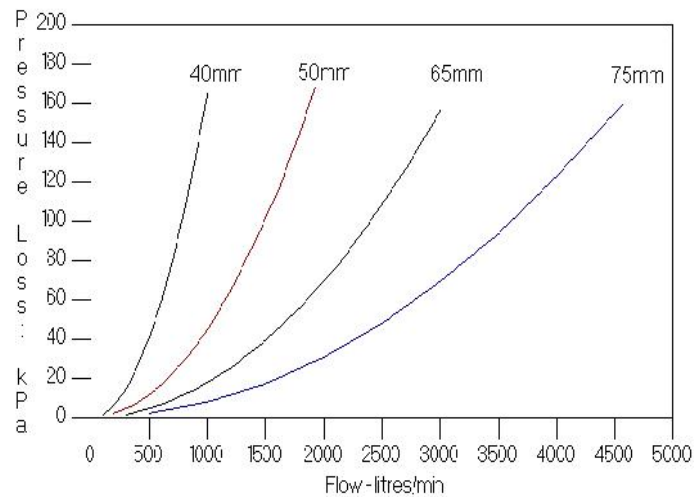
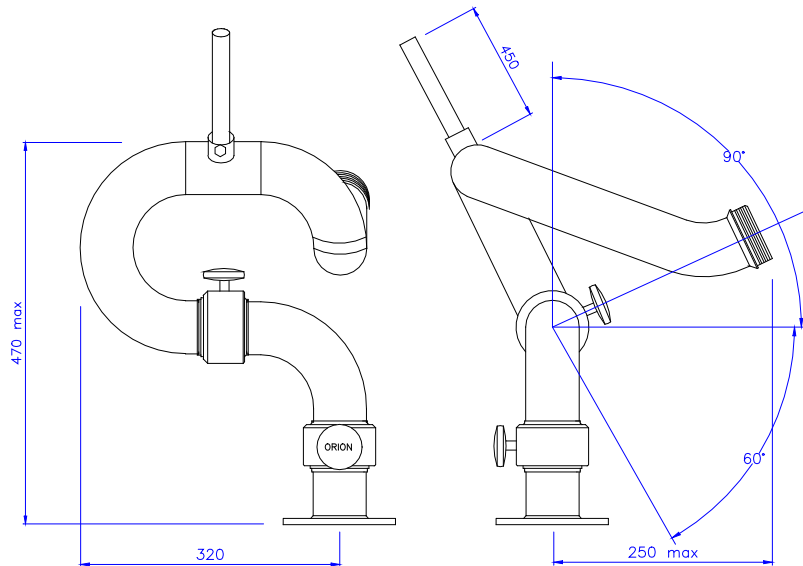
Tel (61) 2 9426 7900

FAX (61) 2 8783 5400

Visit our Website www.orion-fire.com.au Email: sales@orion-fire.com.au

Materials of Construction

Waterway:	316 Stainless Steel
Swivels:	316 Stainless Steel
Inlet Flange:	316 Stainless Steel
Balls:	Brass
Grease Nipples:	316 Stainless Steel
Locking Knob:	Aluminium
Handle:	316 Stainless Steel
Fasteners:	316 Stainless Steel



Friction Loss Curve

Options

Outlet Connection:	65mm BSP Male as Standard, 2.5" NHT optional
Inlet Flange:	65mm Table E as standard. Other sizes and flange types are available
Adjustable tee handle	

ORION FIRE ENGINEERING PTY LIMITED

ABN 80 002 538 696

26A LYN PARADE PRESTONS NSW 2170 AUSTRALIA

Tel (61) 2 9426 7900 FAX (61) 2 8783 5400

Visit our Website www.orion-fire.com.au Email: sales@orion-fire.com.au