

# PRODUCT DATA SHEET

DAB-151NXTP • 808424



BRAND

**DAB**  
WATER • TECHNOLOGY

## PRODUCT DETAILS

The pump is a self-priming surface mounted jet pump and has a suction capability of up to 8m.

## APPLICATIONS

- Domestic installations where a suction lift is required
- Pressure boosting, irrigation and wash down
- Designed for pumping from tanks, rivers and dams.

## FEATURES

- Run dry protection to prevent pump damage
- The nXt controller has an in-built check valve to prevent water back-flow through the pump
- Self priming centrifugal pump with excellent suction capability
- 240V single phase TEFC motor with in-built auto reset thermal overload to prevent pump from damage
- A pressure tank is recommended

## TECHNICAL DATA

### MATERIALS IN CONTACT WITH DRINKING WATER

#### PUMP

PUMP BODY	GJL 200 Cast Iron
IMPELLER	Glass reinforced Noryl
JET, VENTURI, DIFFUSER	Glass reinforced Noryl
MECHANICAL SEAL	Carbon Ceramic Nitrile
O RINGS	Nitrile

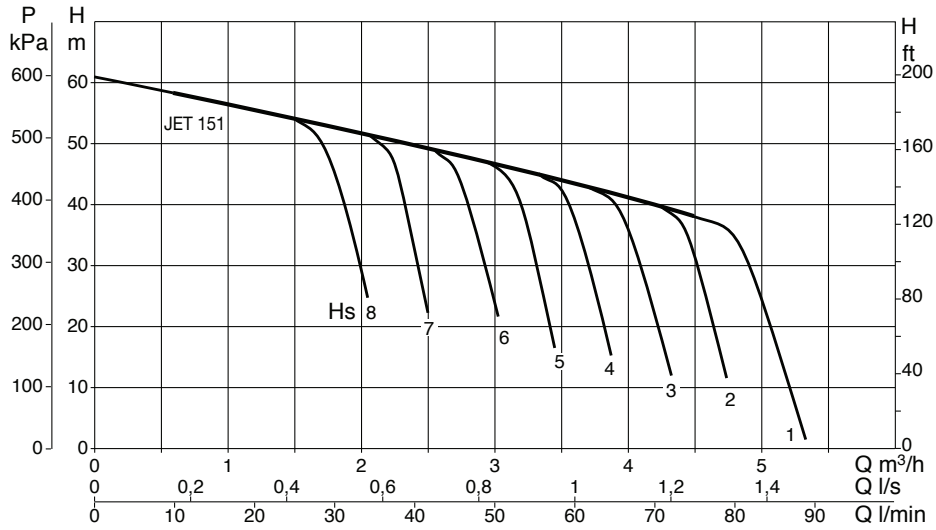
#### CONTROLLER

CONTROLLER BODY	Glass reinforced Noryl
DIAPHRAGM	Butyl (TPV)
PORTS, NRV	Glass reinforced Noryl
SPRING	Stainless Steel
PRESSURE SENSOR	Brass OT58

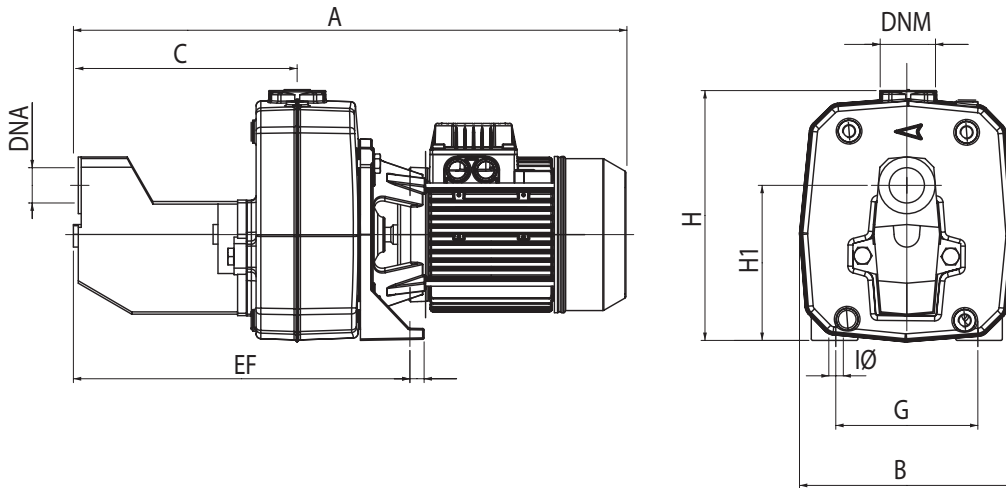
### SPECIFICATIONS

RATED POWER (KW)	1.1 (1.5hp)
MAX. FLOW [LPM]	75
MAX. HEAD [M]	61
PORTS	32mm x 25mm (1-1/4"x1")BSP
START PRESSURE (BAR)	2.2
STOP PRESSURE (BAR)	No Flow
VOLTS (V)	240
CARTON DIMENSIONS	800mm L x 250mm W x 360mm H
WEIGHT (KG)	32.5

## CURVE



## DIMENSIONS



MODEL	A	B	C	E	F	G	I Ø	H	H1	DNA GAS	DNM GAS
DAB-151	558	210	221	350	20	145	11	255	158	1¼"	1"

## WARRANTY / CERTIFICATIONS

