

PRODUCT DATA SHEET

DAB-200MP • 701399



BRAND

DAB
WATER • TECHNOLOGY

PRODUCT DETAILS

The pump is a self-priming surface mounted jet pump and has a suction capability of up to 8m.

APPLICATIONS

- Domestic installations where a suction lift is required
- Pressure boosting, irrigation and wash down
- Designed for pumping from tanks, rivers and dams.

FEATURES

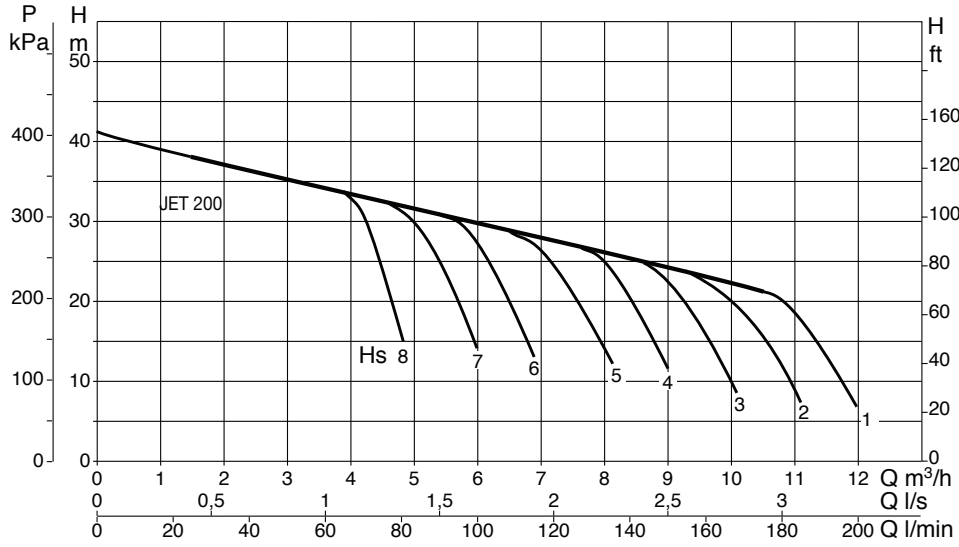
- Pressure switch with adjustable differential
- Pressure gauge
- Self priming centrifugal pump with excellent suction capability
- 240V single phase TEFC motor with in-built auto reset thermal overload to prevent pump from damage
- A pressure tank is required

TECHNICAL DATA

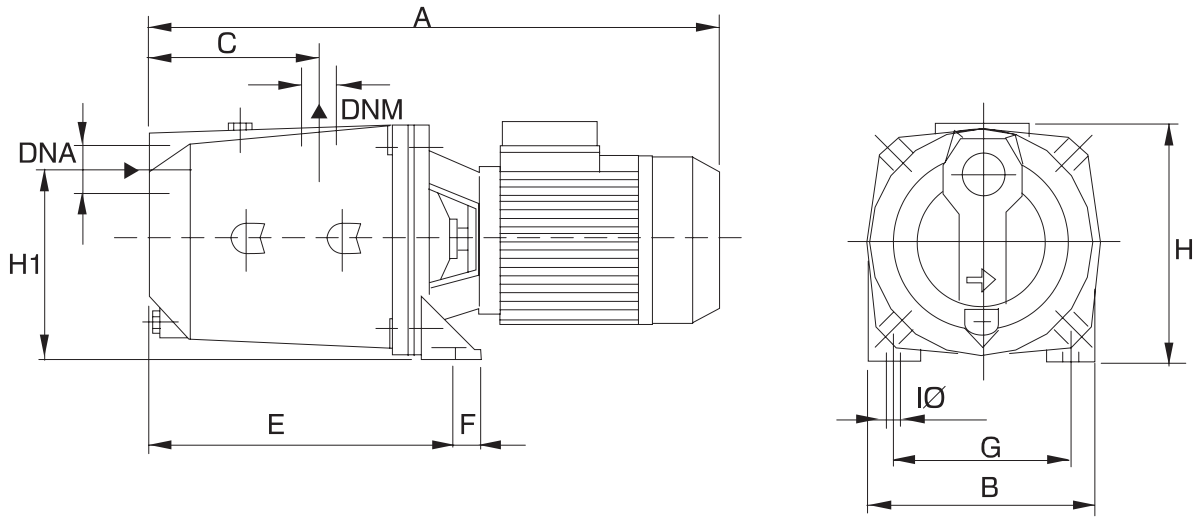
MATERIALS IN CONTACT WITH DRINKING WATER	
PUMP	
PUMP BODY	GJL 200 Cast Iron
IMPELLER	Glass reinforced Noryl
JET, VENTURI, DIFFUSER	Glass reinforced Noryl
MECHANICAL SEAL	Carbon Ceramic Nitrile
O RINGS	Nitrile

SPECIFICATIONS	
RATED POWER (KW)	1.47 (2hp)
MAX. FLOW [LPM]	185
MAX. HEAD [M]	41
PORTS	40mm x 32mm (1-1/2"x1-1/4")BSP
START PRESSURE (BAR)	1.7
STOP PRESSURE (BAR)	3.0
VOLTS (V)	240
CARTON DIMENSIONS	600mm L x 236mm W x 267mm H
WEIGHT (KG)	27.5

CURVE



DIMENSIONS



MODEL	A	B	C	E	F	G	I Ø	H	H1	DNA GAS	DNM GAS
JET 200	521	214	151	282	20	160	11	227	175	1½"	1¼"

WARRANTY / CERTIFICATIONS

