

PRODUCT DATA SHEET

DAB-300NXTP • 808427



BRAND

DAB
WATER • TECHNOLOGY

PRODUCT DETAILS

The pump is a self-priming surface mounted pressure system and has a suction capability of up to 8m.

APPLICATIONS

- Domestic installations where a suction lift is required
- Pressure boosting, irrigation and wash down
- Designed for pumping from tanks, rivers and dams.

FEATURES

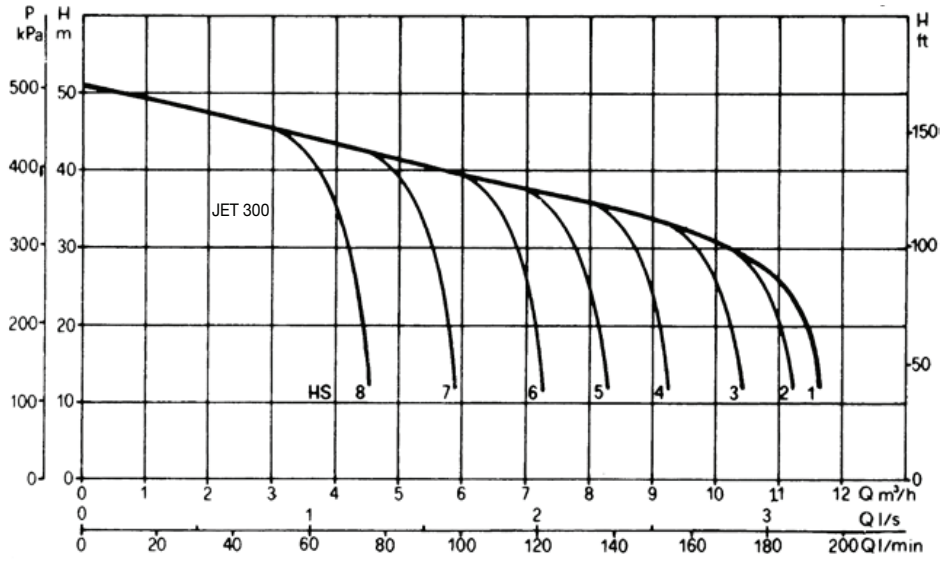
- Run dry protection to prevent pump damage
- The nXt controller has an in-built check valve to prevent water back-flow through the pump
- Self priming centrifugal pump with excellent suction capability
- 240V single phase TEFC motor with in-built auto reset thermal overload to prevent pump from damage
- A pressure tank is recommended

TECHNICAL DATA

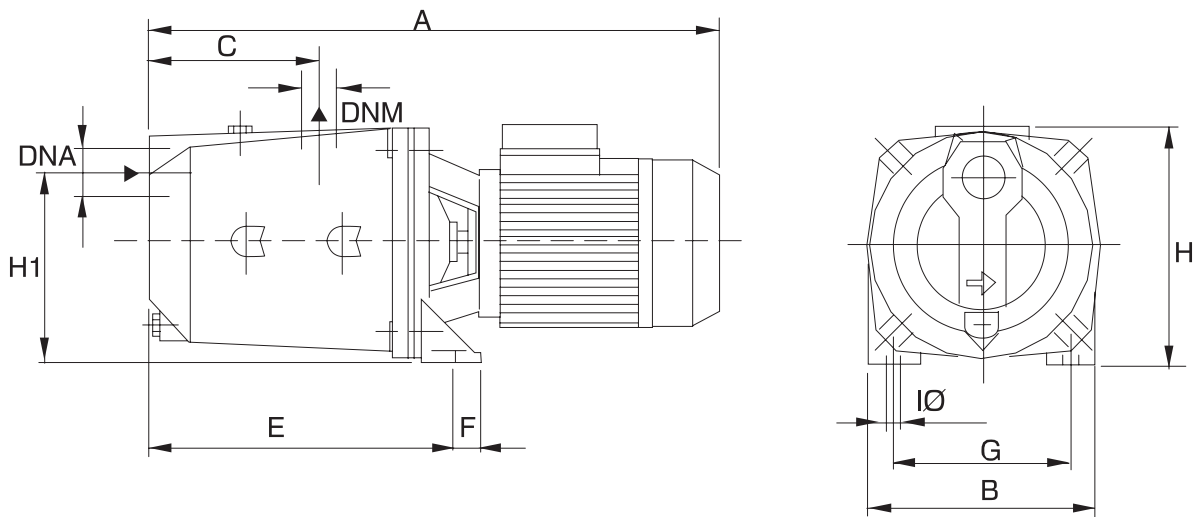
MATERIALS IN CONTACT WITH DRINKING WATER	
PUMP	
PUMP BODY	GJL 200 Cast Iron
IMPELLER	Glass reinforced Noryl
JET, VENTURI, DIFFUSER	Glass reinforced Noryl
MECHANICAL SEAL	Carbon Ceramic Nitrile
O RINGS	Nitrile
CONTROLLER	
CONTROLLER BODY	Glass reinforced Noryl
DIAPHRAGM	Butyl (TPV)
PORTS, NRV	Glass reinforced Noryl
SPRING	Stainless Steel
PRESSURE SENSOR	Brass OT58

SPECIFICATIONS	
RATED POWER (KW)	2.2 (3hp)
MAX. FLOW [LPM]	185
MAX. HEAD [M]	51
PORTS	40mm x 32mm (1-1/2"x1-1/4")BSP
START PRESSURE (BAR)	2.2
STOP PRESSURE (BAR)	No Flow
VOLTS (V)	240
CARTON DIMENSIONS	720mm L x 250mm W x 320mm H
WEIGHT (KG)	32.5

CURVE



DIMENSIONS



MODEL	A	B	C	E	F	G	I Ø	H	H1	DNA GAS	DNM GAS
JET 300 M	595	214	151	282	20	160	11	235	175	1½"	1¼"

WARRANTY / CERTIFICATIONS

