

**Receiver**

 Society  
 Reference  
 Address  
 Phone  
 Fax  
 E-mail

**From**

 -  
 -  
 -

**Item n° :**

102110004

**Model :**

K 20/41 M

**Pump data**

MEI ≥ -

Pressure rating : 6 bar (600 kPa)

Min. fluid temperature : -10 °C

Max. fluid temperature : 50 °C

Max. Ambient temperature : 40 °C

**Requested data**

Flow : 0.00 l/min

Head : 0.00 m

Fluid : Water

Fluid Temperature : 20 °C

Density : 62.315 lb/ft³

Kinematic viscosity : 1.0769E-5 ft²/s

Vapor pressure : 2.20 kPa

**Hydraulic data (duty point)**

Flow :

Head :

NPSH :

Shaft power P2 :

Efficiency :

**Materials**

Pump body Cast iron 200 UNI ISO 185

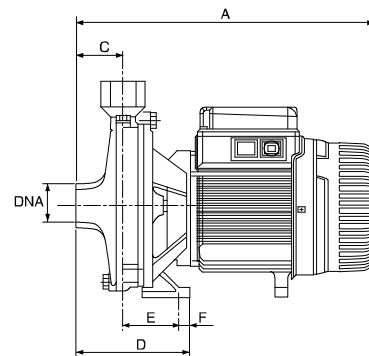
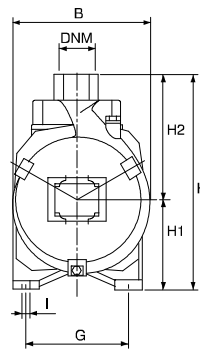
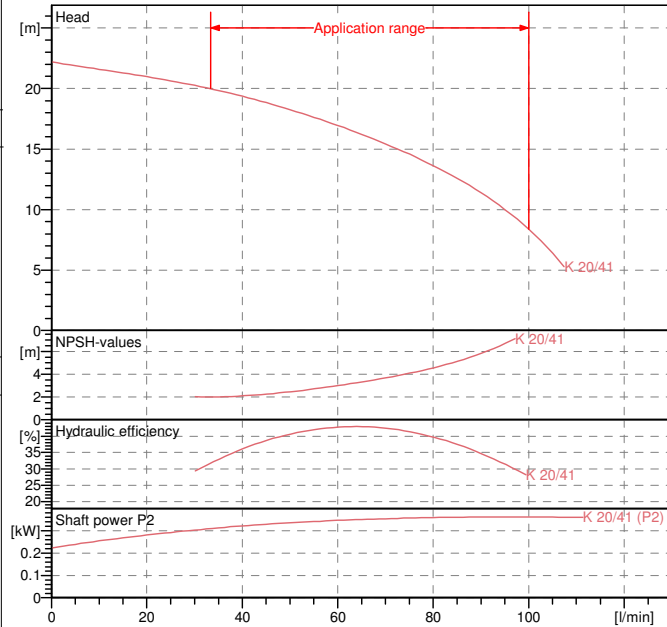
Support Cast iron 200 UNI ISO 185

Impeller Technopolymer A

Mechanical seal Carbon/Ceramic

OR ring NBR Rubber

Shaft with rotor AISI 416 X12 CrS 13 UNI 6900/71

**Curve tolerance according to ISO 9906**

**Weight :** 22.046 lb

**Motor data**

Motor brand : DAB

Nominal power P2 : 0.37 kW

Rated speed : 2800 rpm

Rated voltage : 1~ 220-240 V 50 Hz

Nominal current : 3 A

Degree of protection : IP 44

**Dimensions in mm**

|     |        |   |   |
|-----|--------|---|---|
| A   | 275    | I | 9 |
| B   | 160    |   |   |
| C   | 50     |   |   |
| D   | 100    |   |   |
| DNA | 1" G-M |   |   |
| DNM | 1" G-M |   |   |
| E   | 50     |   |   |
| F   | 15     |   |   |
| G   | 110    |   |   |
| H   | 205    |   |   |
| H1  | 85     |   |   |
| H2  | 120    |   |   |

**Pump connection**

Suction side : 1" G-M / 6 bar (600 kPa)

Discharge side : 1" G-M / 6 bar (600 kPa)



# PERFORMANCE CURVES

2020-07-13

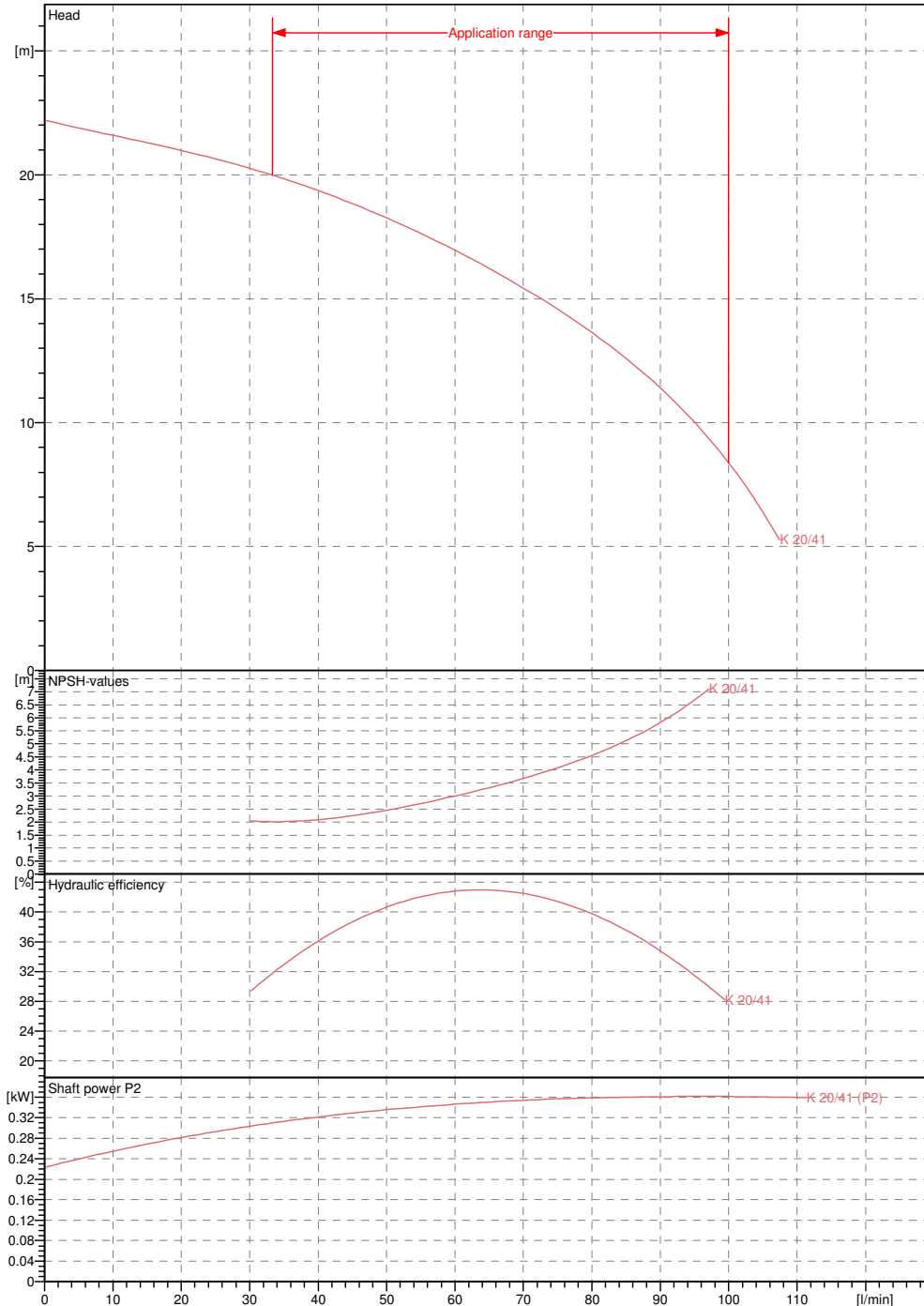
Page 4 / 5

DAB PUMPS S.p.A.  
Via Marco Polo, 14 - 35035 Mestrino (PD), Italy  
Tel. +39 049 5125000 - Fax +39 049 5125950  
www.dabpumps.com

|           |                 |             |
|-----------|-----------------|-------------|
|           | <b>Receiver</b> | <b>From</b> |
| Society   | -               | -           |
| Reference | -               | -           |
| Address   | -               | -           |
| Phone     |                 |             |
| Fax       |                 |             |
| E-mail    |                 |             |

## K 20/41 M

Curve tolerance according to ISO 9906



Hydraulic data (duty point)

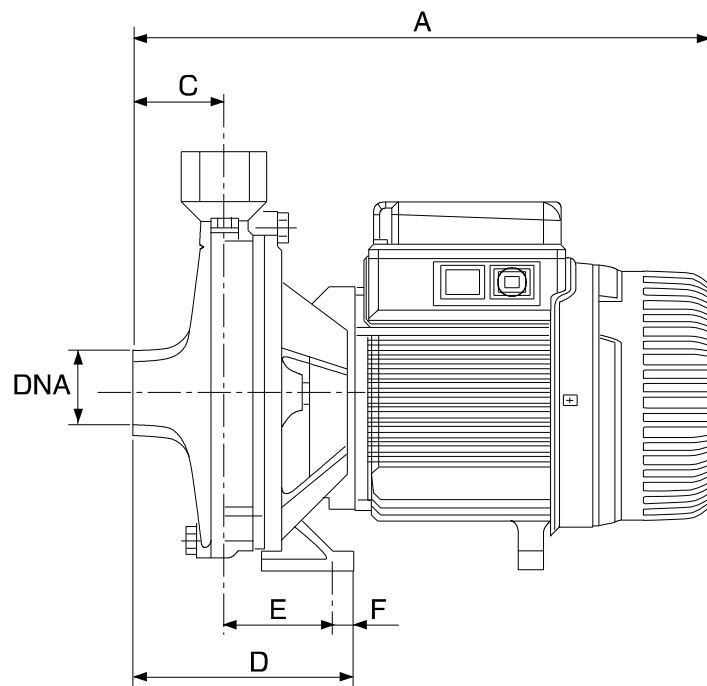
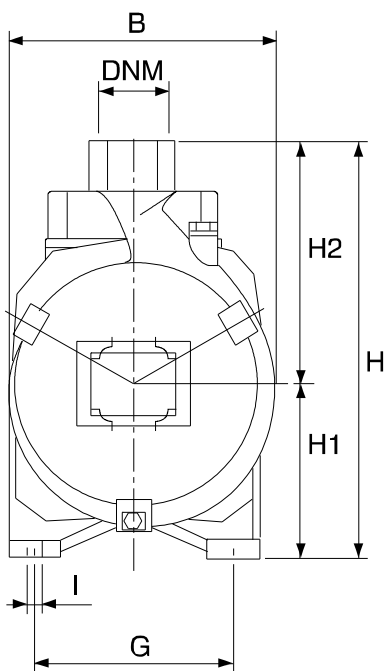
|  |  |                   |                                 |                           |
|--|--|-------------------|---------------------------------|---------------------------|
| Suction side :<br>1 " G-M<br>6 bar (600 kPa) | Discharge side :<br>1 " G-M<br>6 bar (600 kPa) | Flow :<br>0 l/min | Head :<br>0 m                   | Rated speed :<br>2800 rpm |
| Project                                      | Project ID                                     | Created by        | Created on<br><b>2020-07-13</b> |                           |

Receiver

From

Society  
 Reference  
 Address  
 Phone  
 Fax  
 E-mail

## K 20/41 M


**Dimensions in mm**

|    |     |        |    |     |  |  |
|----|-----|--------|----|-----|--|--|
| 1  | A   | 275    | H1 | 85  |  |  |
| 2  | B   | 160    | H2 | 120 |  |  |
| 3  | C   | 50     | I  | 9   |  |  |
| 4  | D   | 100    |    |     |  |  |
| 5  | DNA | 1" G-M |    |     |  |  |
| 6  | DNM | 1" G-M |    |     |  |  |
| 7  | E   | 50     |    |     |  |  |
| 8  | F   | 15     |    |     |  |  |
| 9  | G   | 110    |    |     |  |  |
| 10 | H   | 205    |    |     |  |  |

**Pump connection**

Suction  
 1" G-M  
 6 bar (600 kPa)

Discharge  
 1" G-M  
 6 bar (600 kPa)

Project

Project ID

Created by

Created on

**2020-07-13**