

Receiver	From
Society	-
Reference	-
Address	-
Phone	-
Fax	-
E-mail	-

Item n° :
102110024

Model :
K 30/70 M

Pump data

MEI ≥ -

Pressure rating : 6 bar (600 kPa)

Min. fluid temperature : -10 °C

Max. fluid temperature : 50 °C

Max. Ambient temperature : 40 °C

Requested data

Flow : 0.00 l/min

Head : 0.00 m

Fluid : Water

Fluid Temperature : 20 °C

Density : 62.315 lb/ft³

Kinematic viscosity : 1.0769E-5 ft²/s

Vapor pressure : 2.20 kPa

Hydraulic data (duty point)

Flow :

Head :

NPSH :

Shaft power P2 :

Efficiency :

Materials

Pump body : Cast iron 200 UNI ISO 185

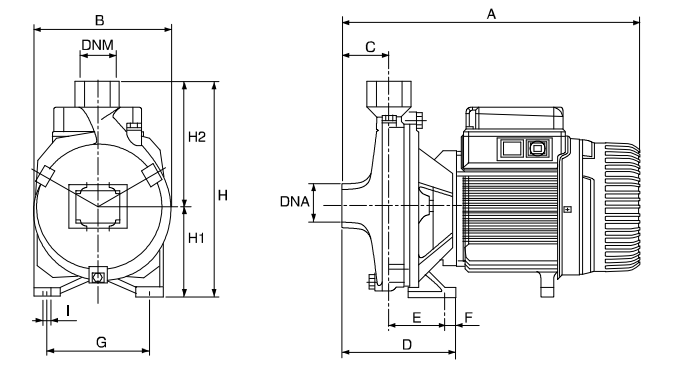
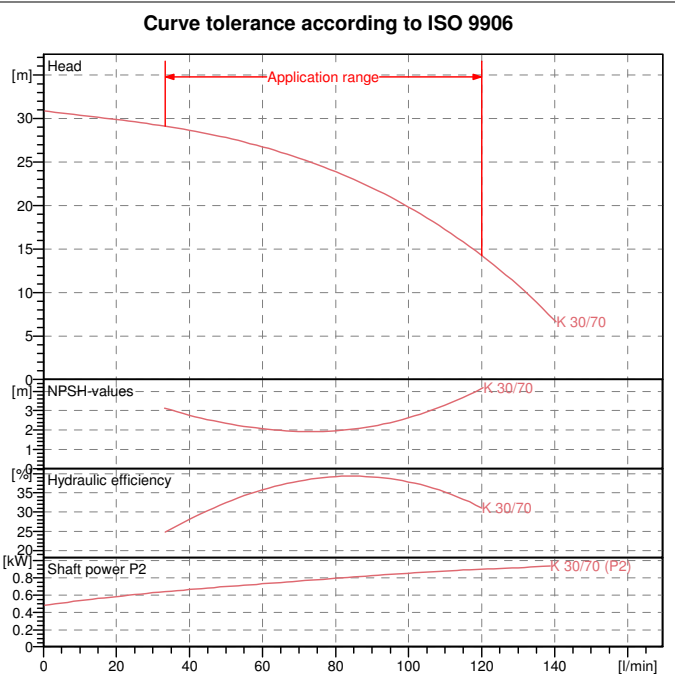
Support : Cast iron 200 UNI ISO 185

Impeller : Technopolymer A

Mechanical seal : Carbon/Ceramic

OR ring : NBR Rubber

Shaft with rotor : AISI 416 X12 CrS 13 UNI 6900/71



Weight : 30.644 lb

Motor data

Motor brand : DAB

Nominal power P2 : 0.75 kW

Rated speed : 2800 rpm

Rated voltage : 1~ 220-240 V 50 Hz

Nominal current : 6 A

Degree of protection : IP 44

Dimensions in mm		I	9
A	330		
B	185		
C	50		
D	108		
DNA	1" G-M		
DNM	1" G-M		
E	58		
F	15		
G	140		
H	235		
H1	100		
H2	135		

Pump connection

Suction side : 1" G-M / 6 bar (600 kPa)

Discharge side : 1" G-M / 6 bar (600 kPa)



PERFORMANCE CURVES

2020-07-13

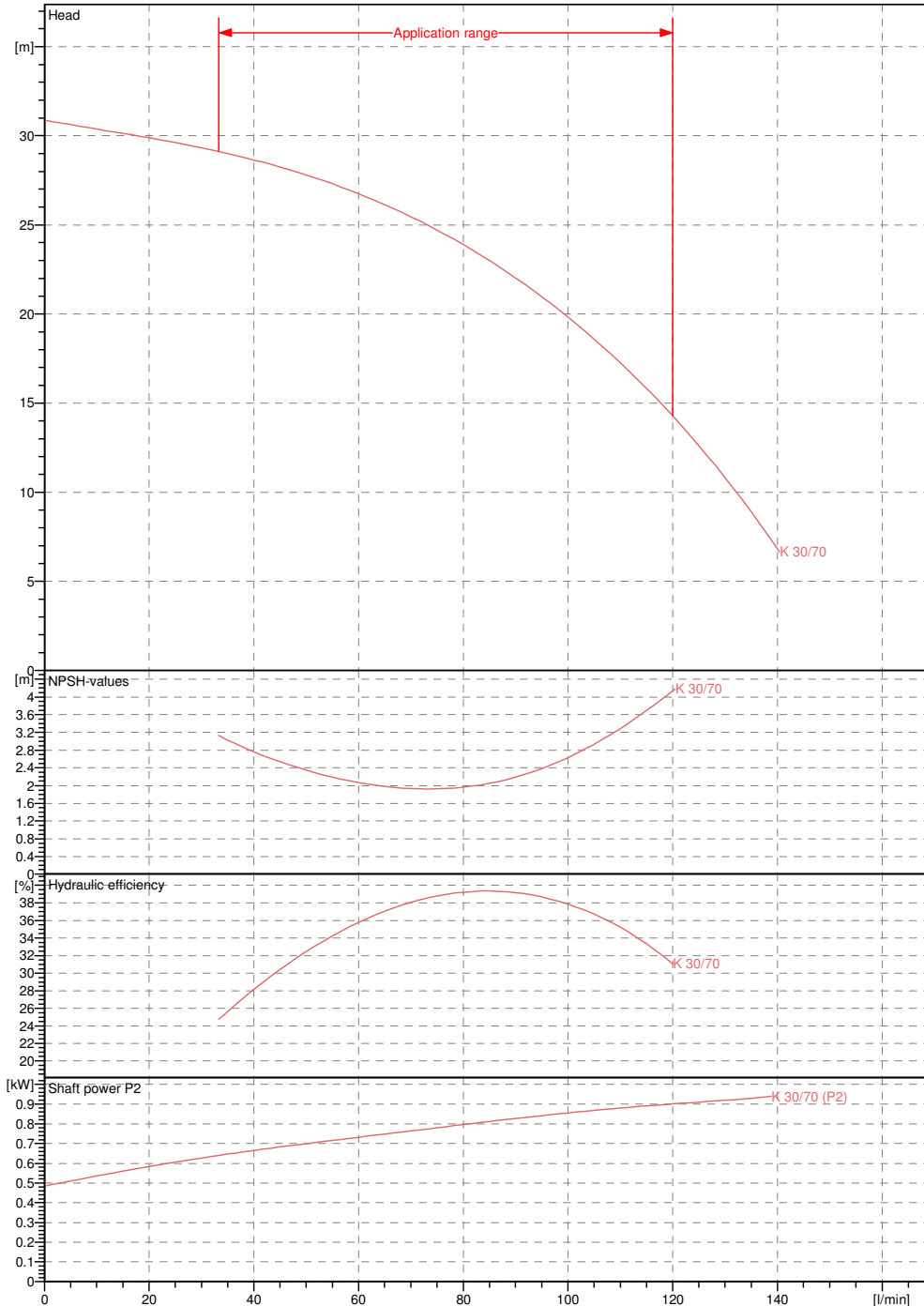
Page 4 / 5

DAB PUMPS S.p.A.
Via Marco Polo, 14 - 35035 Mestrino (PD), Italy
Tel. +39 049 5125000 - Fax +39 049 5125950
www.dabpumps.com

	Receiver	From
Society		-
Reference		-
Address		-
Phone		
Fax		
E-mail		

K 30/70 M

Curve tolerance according to ISO 9906



Hydraulic data (duty point)

Suction side : 1 " G-M 6 bar (600 kPa)	Discharge side : 1 " G-M 6 bar (600 kPa)	Flow : 0 l/min	Head : 0 m	Rated speed : 2800 rpm
Project	Project ID	Created by	Created on 2020-07-13	



WATER • TECHNOLOGY

DIMENSIONAL DRAWING

2020-07-13

Page 5 / 5

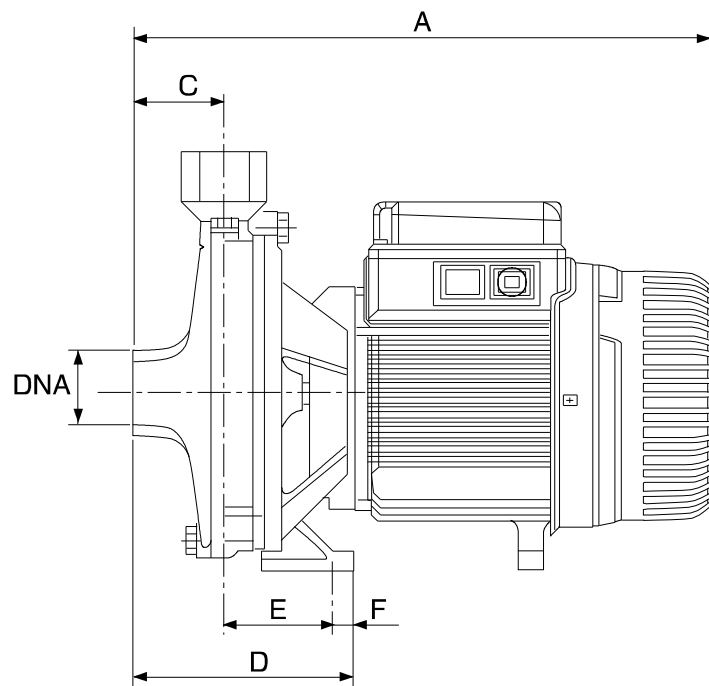
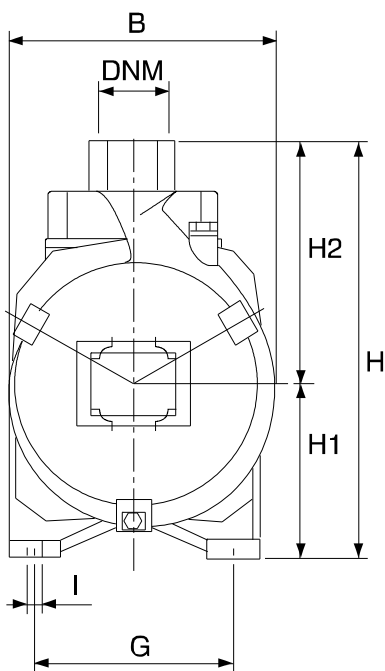
DAB PUMPS S.p.A.
Via Marco Polo, 14 - 35035 Mestrino (PD), Italy
Tel. +39 049 5125000 - Fax +39 049 5125950
www.dabpumps.com

Receiver

From

Society
Reference
Address
Phone
Fax
E-mail

K 30/70 M



Dimensions in mm

1	A	330	H1	100		
2	B	185	H2	135		
3	C	50	I	9		
4	D	108				
5	DNA	1" G-M				
6	DNM	1" G-M				
7	E	58				
8	F	15				
9	G	140				
10	H	235				

Pump connection

Suction
1" G-M
6 bar (600 kPa)

Discharge
1" G-M
6 bar (600 kPa)

Project

Project ID

Created by

Created on

2020-07-13