

Receiver	From
Society	-
Reference	-
Address	-
Phone	-
Fax	-
E-mail	-

Item n° :
 60167629

Model :
 K 80/300 T IE3

Pump data

 MEI ≥
 Pressure rating : 12 bar (1200 kPa)
 Min. fluid temperature : -15 °C
 Max. fluid temperature : 110 °C
 Max. Ambient temperature : 40 °C

Requested data

 Flow : 0.00 l/min
 Head : 0.00 m
 Fluid : Water
 Fluid Temperature : 20 °C
 Density : 62.315 lb/ft³
 Kinematic viscosity : 1.0769E-5 ft²/s
 Vapor pressure : 2.20 kPa

Hydraulic data (duty point)

 Flow :
 Head :
 NPSH :
 Shaft power P2 :
 Efficiency :

Materials

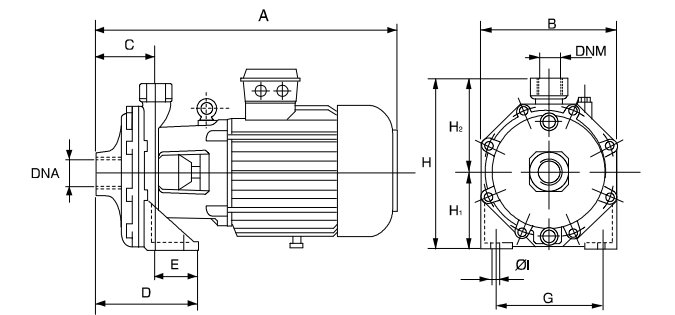
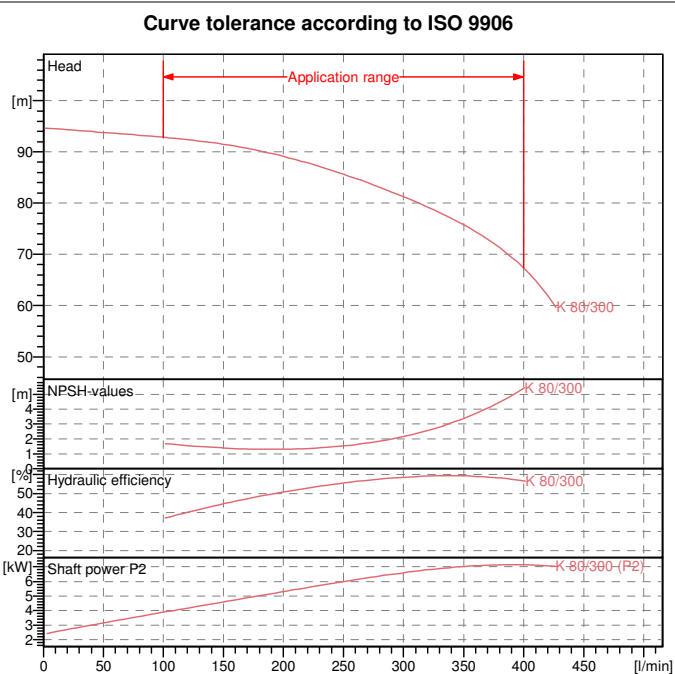
 Pump body : Cast iron 200 UNI ISO 185
 Support : Cast iron 200 UNI ISO 185
 Impeller : Technopolymer B
 Mechanical seal : Carbon/Ceramic
 OR ring : Guarnital
 Shaft with rotor : AISI 304 X5 Cr Ni 1810 UNI 6900/71
 Intermediate cover : Cast iron 200 UNI ISO 185

Motor data

 Motor brand : DAB
 Nominal power P2 : 7.5 kW
 Rated speed : 2900 rpm
 Rated voltage : 3~ 400 V 50 Hz
 Nominal current : 15 A
 Degree of protection : IP 55

Pump connection

 Suction side : 2" G / 12 bar (1200 kPa)
 Discharge side : 1" 1/4 G/ 12 bar (1200 kPa)



Weight : 173.06 lb

Dimensions in mm			
A	595		
B	270		
C	122		
D	182		
DNA	2" G		
DNM	1" 1/4 G		
E	60		
F	20		
G	210		
H	340		
H1	160		
H2	180		



WATER • TECHNOLOGY

PERFORMANCE CURVES

2020-07-07

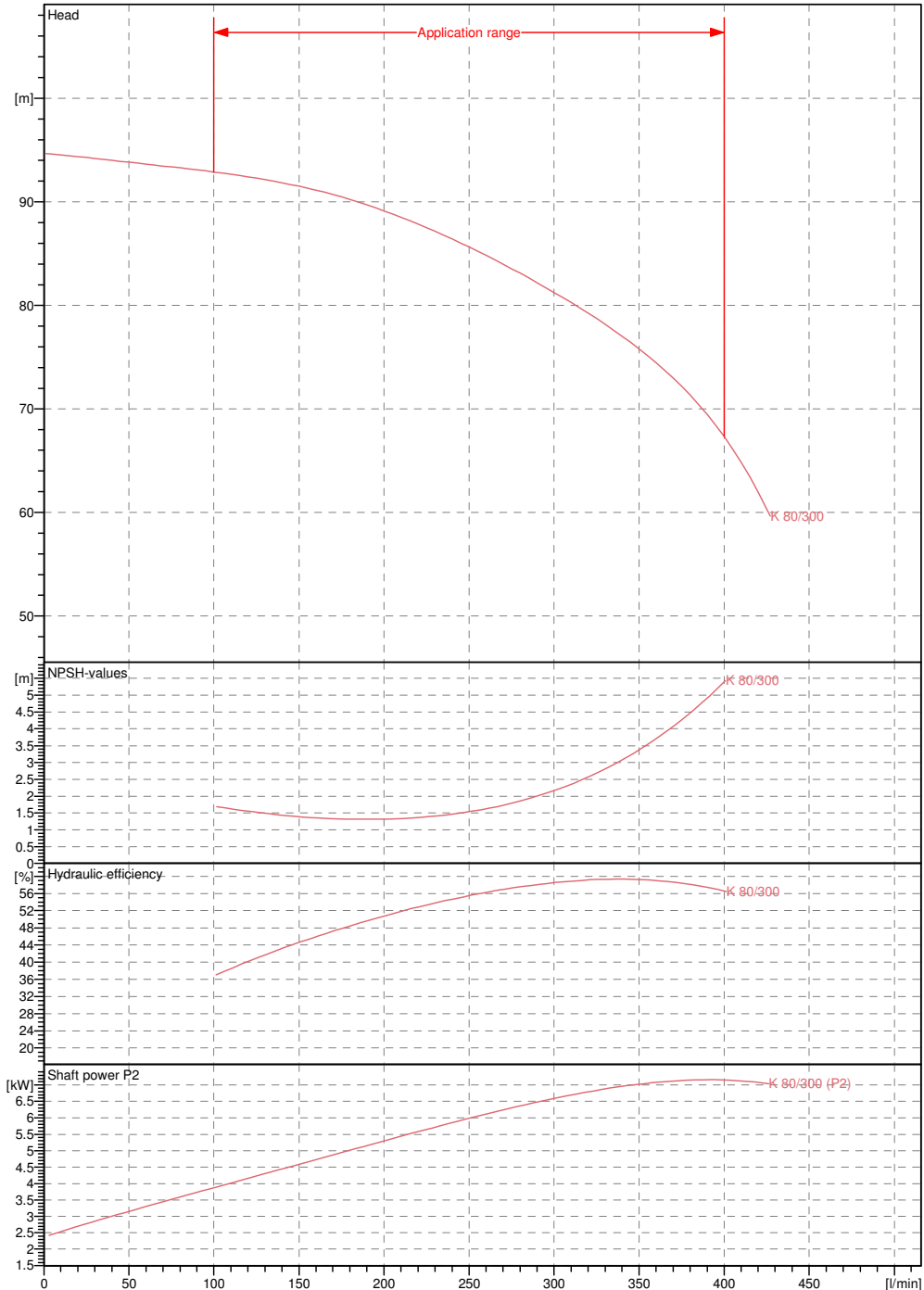
Page 4 / 5

DAB PUMPS S.p.A.
Via Marco Polo, 14 - 35035 Mestrino (PD), Italy
Tel. +39 049 5125000 - Fax +39 049 5125950
www.dabpumps.com

	Receiver	From
Society	-	-
Reference	-	-
Address	-	-
Phone	-	-
Fax	-	-
E-mail	-	-

K 80/300 T IE3

Curve tolerance according to ISO 9906



Hydraulic data (duty point)

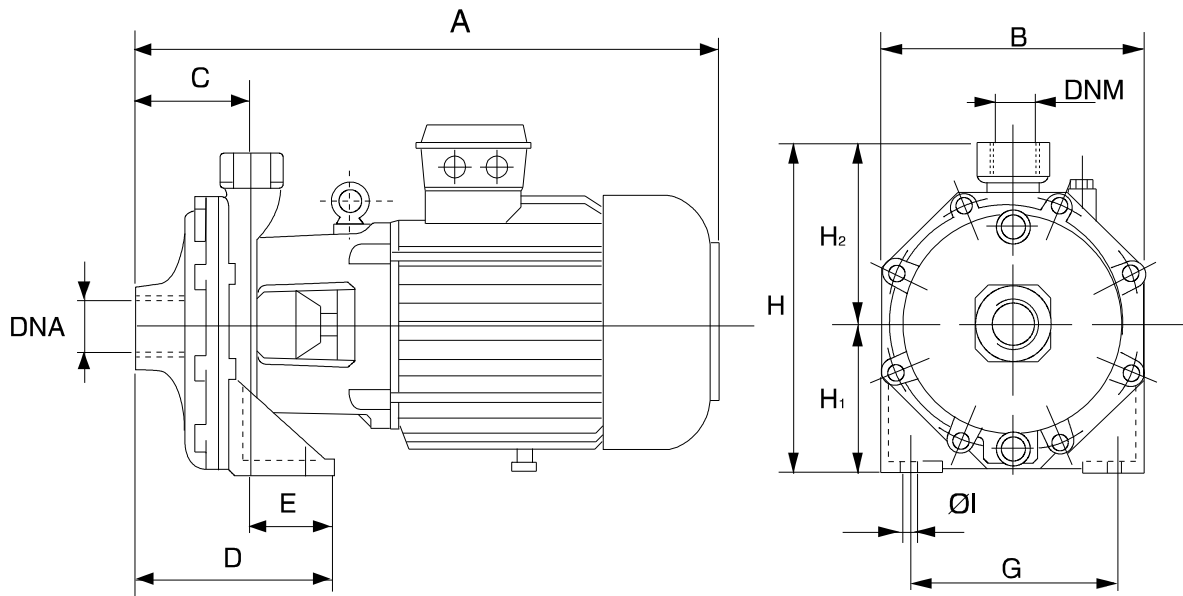
Suction side : 2" G 12 bar (1200 kPa)	Discharge side : 1" 1/4 G 12 bar (1200 kPa)	Flow : 0 l/min	Head : 0 m	Rated speed : 2900 rpm
Project	Project ID	Created by	Created on 2020-07-07	

Receiver

From

Society
 Reference
 Address
 Phone
 Fax
 E-mail

K 80/300 T IE3


Dimensions in mm

1	A	595	H1	160		
2	B	270	H2	180		
3	C	122	∅	14		
4	D	182				
5	DNA	2" G				
6	DNM	1" 1/4 G				
7	E	60				
8	F	20				
9	G	210				
10	H	340				

Pump connection

Suction
 2" G
 12 bar (1200 kPa)

Discharge
 1" 1/4 G
 12 bar (1200 kPa)

Project

Project ID

Created by

Created on

2020-07-07