

# PRODUCT DATA SHEET

DAB-300T • 701419



## PRODUCT DETAILS

The pump is a self-priming surface mounted jet pump and has a suction capability of up to 8m.

## APPLICATIONS

- Domestic installations where a suction lift is required
- Pressure boosting, irrigation and wash down
- Designed for pumping from tanks, rivers and dams.

## FEATURES

- Self priming centrifugal pump with excellent suction capability

BRAND



## TECHNICAL DATA

### MATERIALS IN CONTACT WITH DRINKING WATER

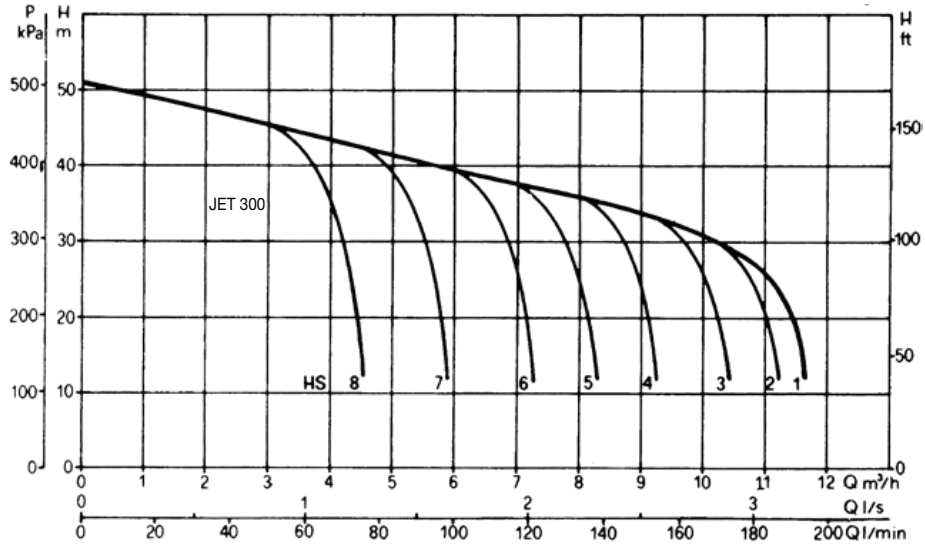
#### PUMP

PUMP BODY	GJL 200 Cast Iron
IMPELLER	Glass reinforced Noryl
JET, VENTURI, DIFFUSER	Glass reinforced Noryl
MECHANICAL SEAL	Carbon Ceramic Nitrile
O RINGS	Nitrile

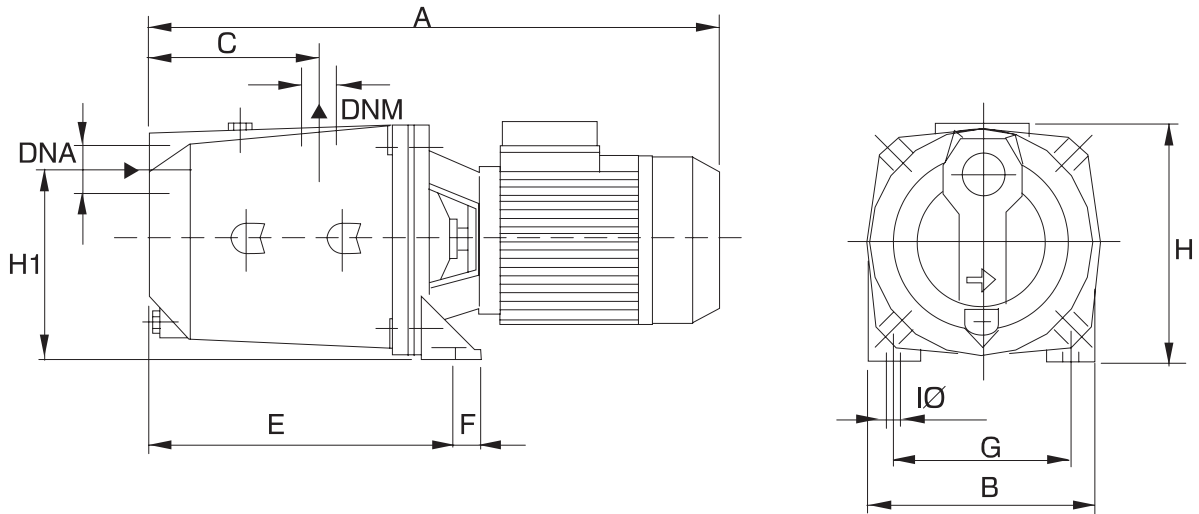
### SPECIFICATIONS

RATED POWER (KW)	2.2 (3hp)
MAX. FLOW [LPM]	185
MAX. HEAD [M]	51
PORTS	40mm x 32mm (1-1/2"x1-1/4")BSP
VOLTS (V)	415
CARTON DIMENSIONS	657mm L x 248mm W x 279mm H
WEIGHT (KG)	30

## CURVE



## DIMENSIONS



MODEL	A	B	C	E	F	G	I Ø	H	H1	DNA GAS	DNM GAS
JET 300 T	595	214	151	282	20	160	11	235	175	1½"	1¼"

## WARRANTY / CERTIFICATIONS

