

Shallow Well Jet Pump



Model Numbers:
095S, 125S, 165S



RUGGED, RELIABLE SINGLE STAGE JET ASSISTED PUMP

APPLICATION

Ideal for supplying high pressure water for farm water supply from dams, creeks and rivers, tank filling, stock watering and sprinkler supply.

FEATURES & BENEFITS

- Davey LTEFC motor providing:
 - IP56 rating for long term protection against vermin, dust and water
- Designed for both high ambient temperatures and extremes in supply voltage making them ideal for remote areas
- Pump unit features the highest corrosion resistance with outstanding pressure capacity due to:
 - unique composite casing design with high strength aluminium outer casing and full internal casing made from precision moulded Rilsan.
 - mounting feet in high impact resistant corrosion proof Xenoy
- Versatile pump - convertible to match required duty
- Colour coded jets and venturis for easy identification
- Easily converted to automatic operation
- 165S available with 3 phase motor
- Quick and easy installation
- Low maintenance
- Easy to service if required
- O-ring seal hand tightened priming plug for easy operation

PUMP

- 1 Stage (Single Impeller)
- Jet assisted
- Marine grade aluminium pump body with Rilsan® lining
- Interchangeable jet/venturi kits to match pump performance to required duty
- Pressure switch fitted
- Pressure gauge supplied

MOTOR

- Davey manufactured.
- 2 pole, 2900rpm, 50Hz.
- Class F insulation, IP56.
- Permanently split capacitor design for single phase motors.
- P2 metal jacket 'fail safe' capacitors.
- Double contact seal C3, high temperature greased bearings.
- Inbuilt thermal overload protection with automatic reset in all 1Ø models.

Shallow Well Pressure Systems

OPERATING LIMITS

Model	095S	125S	165S
Maximum capacity (@260kPa, nil suction) lpm	95	126	165
Maximum suction head (m)	7.5		
Maximum water temperature	50°C		
Minimum water temperature	1°C		
Inlet size	1½" BSP(F)		
Outlet size	1¼" BSP(F)		

ELECTRICAL DATA

Shallow Well Pump – Type	095S	125S	165S
Supply voltage (1Ø)	220-250		
Supply voltage (3Ø)	N/A	N/A	380-450
Output power (kW)	1.1	1.4	1.8
Maximum rated current @ 240V/415V (amps)	7.2	8.5	10/4.2
Locked rotor current @ 240V/415V (amps)	21	25	39/24
Insulation class	F		
IP rating	IP56		
Maximum ambient temperature	50°C		
Starting (1Ø)	P.S.C.		

MATERIALS OF CONSTRUCTION

PART	MATERIAL
Suction cover	Aluminium-Rilsan® lined
Pump body	Aluminium-Rilsan® lined
Discharge port	Aluminium-Rilsan® lined
Diffuser	Glass filled Noryl
Backplate	Glass filled Noryl
Jet/Venturi housing	Glass filled Noryl
Impeller	Glass filled polycarbonate
Jet	Acetyl
Venturi	Acetyl
Seal ring (stationary)	Ceramic
Seal ring (rotating)	Carbon
O-rings	Nitrile rubber
Priming plug	Nylon
Shaft sleeve	316 stainless steel
Motor shell	Aluminium
Motor shell finish	Polyester powder coat
Capacitor cover	Polypropylene
Terminal box cover	Polypropylene
Mounting feet	Xenoy®

INSTALLATION & PRIMING

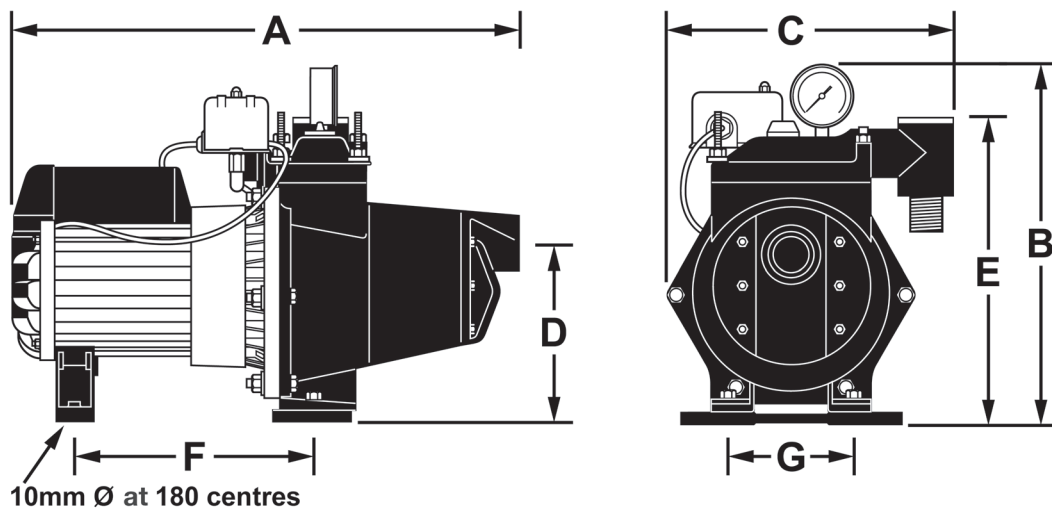
- Installations with suction lift require a good quality foot valve to avoid loss of prime.
- To prime, fill pump body, suction and pressure pipes and injector through priming plug hole and replace plug.

Note:

For complete details consult the installation and operating instructions.

DIMENSIONS (MM)

Model	A	B	C	D	E	F	G	Inlet B.S.P.	Outlet B.S.P.	Net Weight (kg)
095S	535	365	300	158	320	210	210	1½"F	1¼"F	22
125S	555	365	300	158	320	230	210	1½"F	1¼"F	24.5
165S	585	365	300	158	320	230	210	1½"F	1¼"F	25



Shallow Well Pressure Systems

PERFORMANCE																										
Pump Model	Jet Kit No.	Total Suction Head		Delivery Head in metres/feet																Maximum Shut-Off Pressure	Pressure Switch Setting					
				Delivery Head in kPa/psi																						
		m		ft		Output per minute in litres/gallons																kPa	psi	kPa	psi	
		260	38	280	41	340	49	380	55	410	59	480	70	550	80	620	90	660	96							
95S 1 ph 1.6kW * 1.1kW ☉ 7.2A	22690* Jet-Black Venturi-Green	0	0	95	20.8	91	20.0	60	13.1	42	9.2	29	6.3						480	70	260	38				
		1.5	5	86	18.9	83	18.2	55	12.0	40	8.7	27	5.9						476	69	to	to				
		4.0	13	70	15.3	69	15.1	45	9.8	30	6.5	17	3.7						450	65	to	to				
		6.0	20	55	12.0	55	12.0	37	8.1	22	4.8	10	2.1						430	62	380	55				
		7.5	25	42	9.2	42	9.2	34	7.4	15	3.2								412	60	60	60				
	22691 Jet-Brown Venturi-White	0	0					65	14.2	53	11.6	46	10.1	31	6.8	19	4.1		680	98						
		1.5	5					60	13.1	50	10.9	43	9.4	29	6.3	17	3.7		670	97	340	49				
		4.0	13					48	10.5	41	9.0	35	7.6	24	5.2	14	3.0		645	93	to	to				
		6.0	20					38	8.3	37	8.1	32	7.0	21	4.6	11	2.4		630	91	510	74				
		7.5	25					31	6.8	31	6.8	28	6.1	20	4.3	10	2.1		620	90						
125S 1 ph 2.1kW * 1.4kW ☉ 8.5A	22693* Jet-Black Venturi-Black	0	0	126	27.7	126	27.7	100	21.9	72	15.8	51	11.2						482	70	260	38				
		1.5	5	113	24.8	113	24.8	84	18.4	64	14.0	45	9.8						470	68	to	to				
		4.0	13	93	20.4	93	20.4	70	15.3	50	10.9	28	6.1						445	64	to	to				
		6.0	20	70	15.3	70	15.3	59	12.9	36	7.9	11	2.4						425	62	380	55				
		7.5	25	57	12.5	57	12.5	43	9.4	18	3.9								400	58						
	22694 Jet-Green Venturi-Brown	0	0					90	19.7	78	17.1	67	14.7	47	10.3	28	6.1		660	96	340	49				
		1.5	5					82	18.0	73	16.0	63	13.8	43	9.4	24	5.2		650	94	to	to				
		4.0	13					67	14.7	66	14.5	56	12.3	37	8.1	19	4.1		630	91	to	to				
		6.0	20					53	11.6	53	11.6	52	11.4	34	7.4	16	3.5		615	89	510	74				
		7.5	25					44	9.6	44	9.6	44	9.6	33	7.2	15	3.2		605	88						
22695* Jet-Yellow Venturi-White	0	0									60	13.1	45	9.8	31	6.8	20	4.3	780	113	410	59				
	1.5	5									54	11.8	39	8.5	28	6.1	17	3.7	750	109	to	to				
	4.0	13									48	10.5	36	7.9	25	5.4	15	3.2	730	106	to	to				
	6.0	20									38	8.3	33	7.2	23	5.0	13	2.8	710	103	590	86				
	7.5	25									31	6.8	28	6.1	19	4.1	10	2.1	690	100						
165S 1 ph 2.4kW * 1.8kW ☉ 10.0A 3 ph 2.3kW * 1.8kW ☉ 4.2A	22697* Jet-White Venturi-Yellow	0	0	165	36.2	165	36.2	105	23.0	77	16.9	62	13.6						490	71	260	38				
		1.5	5	144	31.6	144	31.6	90	19.7	67	14.5	53	11.6						480	70	to	to				
		4.0	13	120	26.3	120	26.3	82	18.0	58	12.7	38	8.3						454	66	to	to				
		6.0	20	90	19.7	90	19.7	76	16.7	52	11.4	26	5.7						440	64	380	55				
		7.5	25	70	15.3	70	15.3	60	13.1	32	7.0								415	60						
	22698 Jet-Red Venturi-Red	0	0					112	24.6	88	19.3	76	16.7	51	11.2	26	5.7		630	91	340	49				
		1.5	5					100	21.9	82	18.0	71	15.6	47	10.3	22	4.8		622	90	to	to				
		4.0	13					88	19.3	75	16.4	64	14.0	41	9.0	16	3.5		598	87	to	to				
		6.0	20					70	15.3	64	14.0	57	12.5	32	7.0	8	1.7		572	83	510	74				
		7.5	25					54	11.8	54	11.8	50	10.9	26	5.7				552	80						
22699 Jet-Red Venturi-Green	0	0											53	11.6	42	9.2	30	6.5	24	5.3	830	120				
	1.5	5											50	10.9	39	8.5	28	6.1	22	4.8	823	119				
	4.0	13											48	10.5	36	7.9	25	5.4	20	4.4	805	117				
	6.0	20											43	9.4	34	7.4	23	5.0	17	3.7	795	115				
	7.5	25											34	7.6	32	7.0	21	4.6	16	3.5	778	113				

★ Input kW (P₁) ☉ Output kW (P₂)

IMPORTANT INFORMATION

*Denotes standard configuration. Models 95S, 125S & 165S may be converted to higher pressure by fitting relevant Jet & Venturi.

#Denotes discontinued jet kit from February 2022.

- > Plumbing Connections: Inlet - 1½" (38 mm) BSPP Female. Outlet - 1¼" (32mm) BSPP Female - all models.
- > To convert litres/minute to gallons/hour multiply by 13.2. All imperial data is an approximation of metric figures. Specifications subject to change without notice.
- > All models are supplied with plug and lead for 220/250 volt 50Hz operation.