

Shallow Well Jet Pump



Tested in compliance with
AS/NZS 4020
for use in contact with safe drinking water

Model Numbers:
095S1T, 125S1T, 165S1T



ROBUST, COMPACT SINGLE STAGE JET ASSISTED PUMP

APPLICATION

Ideal for supplying high pressure water for farm water supply from dams, creeks and rivers, tank filling, stock watering and sprinkler supply.

FEATURES & BENEFITS

The combination of high pressures supplied by the jet assisted shallow well pump and constant flow with loss of prime protection provided by the Torrium2 controller enables consistent and trouble free operation whilst protecting the pump from damage.

- **The Torrium2 controller is supplied connected electrically to the shallow well pump motor for:**
 - Easy non-tradesman installation and assembly
 - Positive safety under varied weather conditions
- **All parts of the system that are in contact with the water are manufactured from safe, corrosion resistant materials for:**
 - Consumer confidence that their water supply will be as good coming out as it was going into the system
 - Ability to use the shallow well pressure system on a variety of water qualities
- **Compliance with the strict requirements of ISO 9001.2000 quality standards ensures consistency of quality of the system.**

PUMP

- 1 stage (single impeller)
- Open vane impeller
- Stainless steel impeller wear plate
- Inbuilt check valve
- Mechanical shaft seal
- Oring casing seal

MOTOR

- Davey manufactured
- TEFC with IP55 enclosure
- Class F insulation
- Double contact C3-HTG sealed bearings
- Inbuilt thermal overload protection
- Plastic feet on motor shell

For more detailed information on the Torrium2 controller, please refer to the Torrium2 datasheet on the Davey website.

DAVEY

Shallow Well Pressure Systems

OPERATING LIMITS

Model	095S1T	125S1T	165S1T
Maximum capacity (@260kPa, nil suction) lpm	95	126	165
Maximum suction head (m)	7.5		
Maximum water temperature	50°C		
Minimum water temperature	1°C		
Inlet size	1½" BSP(F)		
Outlet size	1¼" BSP(F)		

MATERIALS OF CONSTRUCTION

PART	MATERIAL
Suction cover	Aluminium-Rilsan® lined
Pump body	Aluminium-Rilsan® lined
Discharge port	Aluminium-Rilsan® lined
Diffuser	Glass filled Noryl
Backplate	Glass filled Noryl
Jet/Venturi housing	Glass filled Noryl
Impeller	Glass filled polycarbonate
Jet	Acetyl
Venturi	Acetyl
Seal ring (stationary)	Ceramic
Seal ring (rotating)	Carbon
O-rings	Nitrile rubber
Priming plug	Nylon
Shaft sleeve	316 stainless steel
Motor shell	Aluminium
Motor shell finish	Polyester powder coat
Capacitor cover	Polypropylene
Terminal box cover	Polypropylene
Mounting feet	Xenoy®

ELECTRICAL DATA

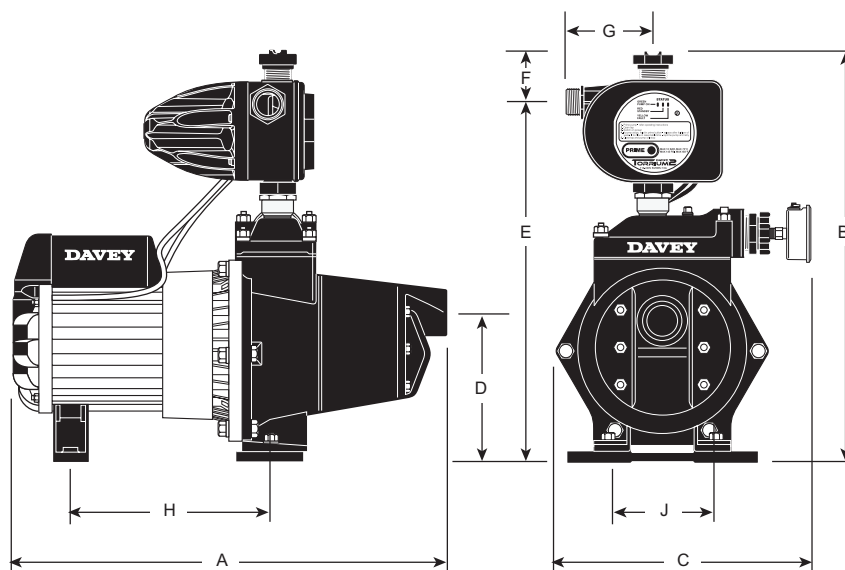
Shallow Well Pump – Type	095S1T	125S1T	165S1T
Supply voltage (1Ø)	220-250		
Output power (kW)	1.1	1.4	1.8
Maximum rated current @ 240V/415V (amps)	7.2	8.5	10
Locked rotor current @ 240V/415V (amps)	21	25	39
Insulation class	F		
IP rating	IP56		
Starting (1Ø)	P.S.C.		
Torrium2			
Model	TT70		
Voltage	110-240V±10%		
Phase	Single		
Hz	50 / 60		
IP rating	IP56		
Maximum load current	10A		
Maximum motor size @ 240V input	1.8kW		
Surge protection	Varistor		

IDENTIFICATION

Model Number	095S1T	125S1T	165S1T
Pump	95S	125S	165S

DIMENSIONS (mm)

Model	A	B	C	D	E	F	G	H	J	Inlet B.S.P.	Torrium Outlet B.S.P.	Net Weight (kg)
095S1T	535	490	295	158	430	75	115	210	210	1½"F	1"M	21
125S1T	555	490	295	158	430	75	115	230	210	1½"F	1"M	23.5
165S1T	555	490	295	158	430	75	115	230	210	1½"F	1"M	24



Single Stage Engine Driven Pump

PERFORMANCE																								
Pump Model	Jet Kit No.	Total Suction Head		Delivery Head in metres/feet														Maximum Shut-Off Pressure	Pressure Switch Setting					
				26	85	28	92	34	112	38	125	41	135	48	157	55	180				62	203	66	217
				Delivery Head in kPa/psi																				
				260	38	280	41	340	49	380	55	410	59	480	70	550	80				620	90	660	96
Output per minute in litres/gallons														kPa	psi	kPa	psi							
m	ft																							
95ST 1 ph 1.6kW * 1.1kW ☉ 7.2A	22690* Jet-Black Venturi-Green	0	0	95	20.8	91	20.0	60	13.1	42	9.2	29	6.3						480	70				
		1.5	5	86	18.9	83	18.2	55	12.0	40	8.7	27	5.9						476	69	260	38		
		4.0	13	70	15.3	69	15.1	45	9.8	30	6.5	17	3.7						450	65	to	to		
		6.0	20	55	12.0	55	12.0	37	8.1	22	4.8	10	2.1						430	62	380	55		
	7.5	25	42	9.2	42	9.2	34	7.4	15	3.2								412	60					
	22691 Jet-Brown Venturi-White	0	0					65	14.2	53	11.6	46	10.1	31	6.8	19	4.1			680	98			
		1.5	5					60	13.1	50	10.9	43	9.4	29	6.3	17	3.7			670	97	340	49	
		4.0	13					48	10.5	41	9.0	35	7.6	24	5.2	14	3.0			645	93	to	to	
		6.0	20					38	8.3	37	8.1	32	7.0	21	4.6	11	2.4			630	91	510	74	
	7.5	25					31	6.8	31	6.8	28	6.1	20	4.3	10	2.1			620	90				
	125ST 1 ph 2.1kW * 1.4kW ☉ 8.5A	22693* Jet-Black Venturi-Black	0	0	126	27.7	126	27.7	100	21.9	72	15.8	51	11.2						482	70			
			1.5	5	113	24.8	113	24.8	84	18.4	64	14.0	45	9.8						470	68	260	38	
4.0			13	93	20.4	93	20.4	70	15.3	50	10.9	28	6.1						445	64	to	to		
6.0			20	70	15.3	70	15.3	59	12.9	36	7.9	11	2.4						425	62	380	55		
7.5		25	57	12.5	57	12.5	43	9.4	18	3.9								400	58					
22694 Jet-Green Venturi-Brown		0	0					90	19.7	78	17.1	67	14.7	47	10.3	28	6.1			660	96			
		1.5	5					82	18.0	73	16.0	63	13.8	43	9.4	24	5.2			650	94	340	49	
		4.0	13					67	14.7	66	14.5	56	12.3	37	8.1	19	4.1			630	91	to	to	
		6.0	20					53	11.6	53	11.6	52	11.4	34	7.4	16	3.5			615	89	510	74	
7.5		25					44	9.6	44	9.6	44	9.6	33	7.2	15	3.2			605	88				
22695* Jet-Yellow Venturi-White		0	0									60	13.1	45	9.8	31	6.8	20	4.3	780	113			
		1.5	5									54	11.8	39	8.5	28	6.1	17	3.7	750	109	410	59	
	4.0	13									48	10.5	36	7.9	25	5.4	15	3.2	730	106	to	to		
	6.0	20									38	8.3	33	7.2	23	5.0	13	2.8	710	103	590	86		
7.5	25									31	6.8	28	6.1	19	4.1	10	2.1	690	100					
165ST 1 ph 2.4kW * 1.8kW ☉ 10.0A	22697* Jet-White Venturi-Yellow	0	0	165	36.2	165	36.2	105	23.0	77	16.9	62	13.6						490	71				
		1.5	5	144	31.6	144	31.6	90	19.7	67	14.5	53	11.6						480	70	260	38		
		4.0	13	120	26.3	120	26.3	82	18.0	58	12.7	38	8.3						454	66	to	to		
		6.0	20	90	19.7	90	19.7	76	16.7	52	11.4	26	5.7						440	64	380	55		
	7.5	25	70	15.3	70	15.3	60	13.1	32	7.0								415	60					
	22698 Jet-Red Venturi-Red	0	0					112	24.6	88	19.3	76	16.7	51	11.2	26	5.7			630	91			
		1.5	5					100	21.9	82	18.0	71	15.6	47	10.3	22	4.8			622	90	340	49	
		4.0	13					88	19.3	75	16.4	64	14.0	41	9.0	16	3.5			598	87	to	to	
		6.0	20					70	15.3	64	14.0	57	12.5	32	7.0	8	1.7			572	83	510	74	
	7.5	25					54	11.8	54	11.8	50	10.9	26	5.7				552	80					

★ Input kW (P₁) ☉ Output kW (P₂)

IMPORTANT INFORMATION

*Denotes standard configuration. Models 95S, 125S & 165S may be converted to higher pressure by fitting relevant Jet & Venturi.

#Denotes discontinued jet kit from February 2022.

- > Plumbing Connections: Inlet – 1½" (38 mm) BSPP Female. Outlet – 1¼" (32mm) BSPP Female – all models.
- > To convert litres/minute to gallons/hour multiply by 13.2. All imperial data is an approximation of metric figures. Specifications subject to change without notice.
- > All models are supplied with plug and lead for 220/250 volt 50Hz operation.